

POCKET BATH⁺ *Plus*

POCKET SINK

Portable, affordable and water-saving devices for touchless hand washing and convenient body washing

WaSH
Innovation

1 NO
POVERTY



2 ZERO
HUNGER



3 GOOD HEALTH
AND WELL-BEING



4 QUALITY
EDUCATION



5 GENDER
EQUALITY



6 CLEAN WATER
AND SANITATION



7 AFFORDABLE AND
CLEAN ENERGY



8 DECENT WORK AND
ECONOMIC GROWTH



9 INDUSTRY, INNOVATION
AND INFRASTRUCTURE



10 REDUCED
INEQUALITIES



11 SUSTAINABLE CITIES
AND COMMUNITIES



12 RESPONSIBLE
CONSUMPTION
AND PRODUCTION



13 CLIMATE
ACTION



14 LIFE
BELOW WATER



15 LIFE
ON LAND



16 PEACE, JUSTICE
AND STRONG
INSTITUTIONS



17 PARTNERSHIPS
FOR THE GOALS



The problem

Lack of decent access to running water as well as hand washing facilities for many billions of people around the world.



“I don’t like those tippy taps.
They are just for poor people.
I would not want to use one”

an internally displaced woman in DR Congo who
earned less than 50c per day



School in India



Multi-station hand-washing places look good in the photos, but there is a great need for one-person hand-washing stations - in places where they are needed: near the dining room, toilet, work area, and most importantly at home. There is definitely a lack of appliances for use at the household level.

Requirements



Household Handwashing Device

People need to wash their hands at home as well as after going to the toilet. Where there is no running water at the household level, as in most humanitarian emergencies, water will need to be stored in a container and refilled. Household level hand washing has the advantage that user can take ownership of the system and they have responsibility for ensuring the container is filled: something that is a problem with communal household systems.

Nature of solution	A handwashing solution for households that can fit on a variety of containers. It should require only one touch to cause the flow of water, which should stop when released. It should incorporate a clip/ clamp on device for house soap or ash.
Flow rate	Water conservation is important, so a flow rate of 1 - 1.5 litres/minute would be appropriate. When not in use it should not leak.
Disabilities	Should be useable by handicapped people.
Durability	Last a minimum of 2 years.
Security	Theft resistant design
Packaging	Easily packageable.
Local Materials	The solution should be a complete kit, not requiring any materials to be sourced in country.
Cost	No more than around £5/unit delivered to Europe.

Objective

Develop, test and have ready for purchase two new hand washing devices suitable for emergency situations. They will be lightweight, hygienic, water saving and cost around £3/unit.



IFRC & Airbus Handwashing Device Challenge

 William Carter

 Subskrybuj 1

40 wyświetleń

 Dodaj do  Udostępnij  Więcej

 0  0

Opublikowany 28 paź 2016

Introduction to the challenge to develop a new device for washing hands in emergencies

Numerous competitions for a handwashing device indicate a lack of a suitable device to maintain primary hygiene in emergency conditions.

Red Cross,
Oxfam,
Elrha (Save the Children).
Cewas,
StandardBank (RSA)

Oxfam Water Tap Project

July 28, 2014 · jpalmer

My lack of project activity recently can probably be chalked up to the fact that I've been spending all of my free time working on an very worthwhile open source design project for oxfam. The project is to design a low cost water dispensing solution, which encourages use my children in a sanitary manner, you can read more about the project here : Oxfam Open Design Project. Here is how my design has progressed so far:



Click the photo for more info about my design

So far I've completed two full designs, along with product documentation and assembly instructions for each. All in all, it's been a lot of work!

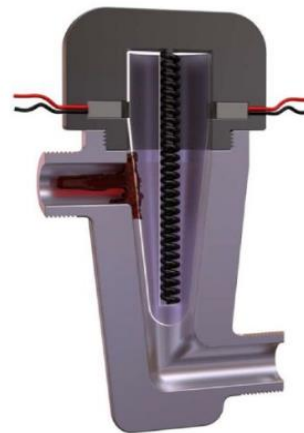
Oxfam are currently testing the submitted designs and will make design change recommendations to me soon.

This is a really exciting project to be part of and I hope I get the chance to make a real difference through design and engineering.

Space propulsion Innovation Awards

April 11, 2015 · jpalmer

I'm proud to have played a small role in helping colleagues to win the top prize at the prestigious, UK Space Propulsion Innovation Awards. My involvement in this was limited to project managing the entries and giving some feedback on presentation style and content, I'm thrilled to have been part of this though.



Advanced Manufacturing Research Centre



WaSH in Emergencies RedR UK , MSF Brussels, Belgium,



The solution:

POCKET SINK

Easy to wash your hands anywhere
and by anyone!



EASY TO USE



- Easy to operate by children and people with disabilities
- Easy to instal

A foot pedal enables washing hands without touching the tap.

Elbow use allows for minimal hand touching and foot pedal allows for non-contact handwashing.





The foldable pedal allows you to wash your hands or items with the highest hygiene and precisely control the water flow



POCKET BATH⁺ *Plus*

MULTI - USE

Thanks to different nozzles the device can be used as:



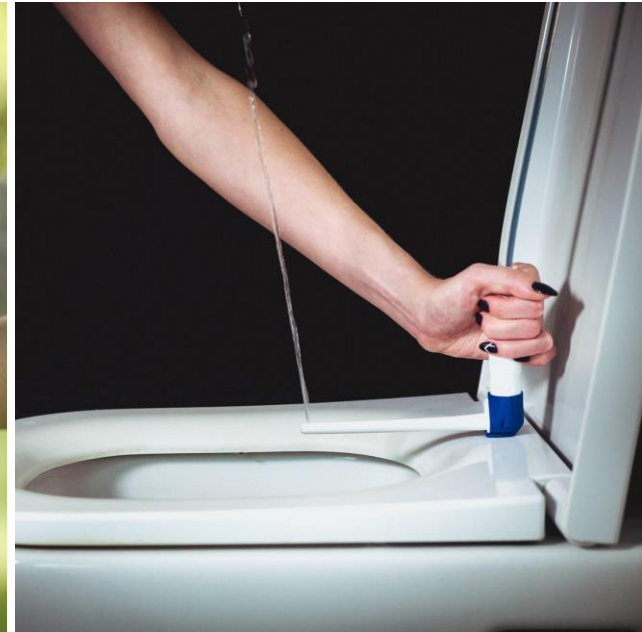
a shower



a faucet



a bidet/shattaf.



Our actions:



Peru

An example of how to use the Pocket Bath when the water supply is interrupted or when there is only cold water in the shower.



Nepal

„My relative who is very old man, is in medical supervision, but staying in home. He has limited movement, so is using ‘commode chair’ as a toilet inside his bedroom itself. Most of Nepali do not use toilet paper, but prefer to use water instead for cultural practices. We found it very useful for him.”



Patented technology

The essential part of all our devices is patented friction-less **teemer®-valve** It is durable and efficient, resulting in an even **70% reduction in used water.**



Patents granted:

Poland, EU, Japan, USA, China, Taiwan, Australia, Turkey, India.



Who is Pocket Sink for?

high-margin sales



Camping & outdoor

For every outdoor enthusiast as a portable camping sink.



Outdoor workers

For people on the road or working in the field – a road shower or outdoor sink that will accompany you, wherever you are.



Emergency

Keep it as an emergency kit in case of a water supply system failure – at home, in the office.

low-margin sales



Humanitarian aid

For refugee camps or slums – we provide personal hygiene systems that can be used with no running water.

Market (pcs):

30



Analog Mars Base

Acceptable price

(EUR):

?

300 000

Preppers,
Outdoor,
Military,

50 -100

3 000 000

Emergency Kits,
Recreation,
Camping,
Festivals,

40 -80

30 000 000

Truckers,
Travellers,

10 - 20

300 000 000

Travelling muslims,

5 - 7

People without access to running water

TAM: > 1 000 000 000 EUR



¥ 応援購入総額 **1,102,400円** Success!
 目標金額 300,000円
 367%
 サポーター **86人**
 残り **終了**
 終了しました

プロジェクトを掲載したい方はこちら ▶



キャンプや災害時に活躍！コンパクトで多目的、どこでも簡単にシャワーや手洗い！

[project summary](#) / [about uganda](#) / [project report](#) JP / EN



SARAYA Wash A Million Hands! project

Your hands save children's future.



We Support
SARAYA

[project summary](#) / [about uganda](#) / [project report](#) JP / EN



SARAYA Wash A Million Hands! project

Your hands save children's future.



We Support
SARAYA



In Africa taps are locked in many places because schools cannot afford to buy water!

Equipment for washing hands with a little water is badly needed.

Correct handwashing



prevents children
from fatal diseases.



SARAYA
Wash A Million Hands! project



We Support
SARAYA **unicef**

Our actions:



A school in Kenya,

location of the tap and sink at a height convenient for small children.

Our devices are adapted to the needs of children and the disabled. In the conditions of hostilities, the number of people with amputated limbs is growing rapidly, for whom devices must be adapted.

Lima Peru





SAY NO TO
ILLEGAL MIGRATION
TO ITALY (EUROPE)





AWARENESS CAMPAIGN
AGAINST HUMAN TRAFFICKING
 & **Illegal Migration from Nigeria to Italy (Europe)**
Through Desert and Mediterrenea Sea

Black A Flat 2, Godsmen Estate, Karu - Abuja/Tel:08034803530
www.facebook.com/edithgbonnafoundation//E-mail: info@edithgbonnafoundation.org
www.edithgbonnafoundation.org



We are looking for partners who would be ready to help organize and finance the production and implementation of Pocket Sink and Pocket Bath in Africa

**WaSH
Innovation**

Warsaw, Poland

Krancowa 49, 02-493

hello@washinnovation.com

washinnovation.com